

REFERENCE SPECIFICATIONS

-NFC 93425 (in compliance with HE 507)

PHYSICAL CHARACTERISTICS

-INSULATOR MATERIAL: THERMOPLASTIC ,UL94V0

-ACCESSORIES: BRASS

-SHELLS: STEEL

ELECTRICAL CHARACTERISTICS

-CONTACT/CONTACT : >=1000 V

-CONTACT/GROUND : >=1200 V

-INSULATION RESISTANCE: >=5000 MOhms

ENVIRONMENTAL CHARACTERISTICS

- CLIMATIC CATEGORY: 55/125/21

TEMPERATURE RANGE -55°C TO +125°C

DAMP HEAT STEADY STATE 21 DAYS

SALT SPRAY 24 HOURS

MECHANICAL CHARACTERISTICS

- RETENTION AGAINST TORQUE: - Threaded insert: 0.7 N.m minimum

- Female screw : 0.5 N.m minimum

Series

DBL5W5SA00LF

Shell size: **E A B C**
see sheet 2

Front accessory definition
see sheet 2

- Blank** :without accessory
- L** :threaded insert M3
- O** :threaded insert UNC 4-40

Layout of contacts (see sheet 3)

Contacts

- S** :Socket

PCB accessory definition

- A** without accessory on PCB

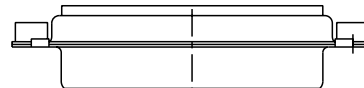
Power contacts

- 00** without power contact

See note RoHS

NOTE RoHS INFORMATION

- The "LF" products meet european union Directives and other country regulations as described in GS-22-008.
- Shell plating :2 to 4µm Cu+ Ni + 3 to 10µm Sn(pure bright)
- Accessories: Sn pure bright + nickel
- Packaging spec: See GS-14-920



rev	ecn no	dr	date
A	LS05-0113	MPE	2005-11-28
B	LS06-0208	LGO	2006-12-13
C	LS07-0273	MPE	2007/11/05
-	-	-	-
-	-	-	-
-	-	-	-
-	-	-	-

www.fciconnect.com		surface	ISO 1302	tolerance std	ISO 406	ISO 1101	projection	mm
		ANGULAR		TOLERANCES UNLESS OTHERWISE SPECIFIED		size		Scale
		LINEAR		0.X	±0.3	A2		2:1
		d° ±z'		0.xx	±0.1	ECN		LS07-0273
		Product family		0.xxx	±0.05	- Spec ref		
FCJ		SUB FEMALE DW		full power without contact		C01-8639-2311		Rev. C
catalog no		CUSTOMER		sheet 1 of 4				

Copyright FCJ

1 2 3 4 5 6 7 8

A

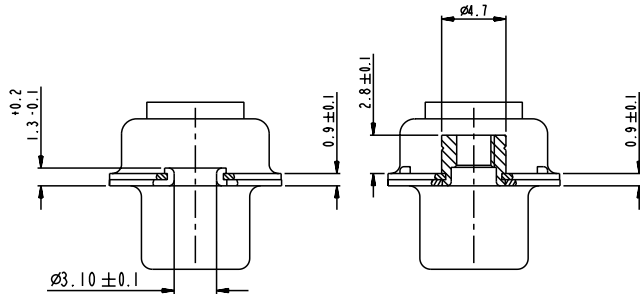
B

C

D

E

F



FRONT ACCESSORY	Blank without	L insert M3
		O insert UNC 4.40
PCB ACCESSORIES	A without	A without

PART NUMBER	FRONT ACCESSORY	PCB ACCESSORIES
D*xWxSA00LF	without	without
D*LxWxSA00LF	insert M3	without
D*OxWxSA00LF	insert UNC 4.40	without

shell size LAYOUTS

#	xWx
E	2V2
A	3V3
A	3W3
B	5W5
C	8W8

Copyright FCI.
FCI

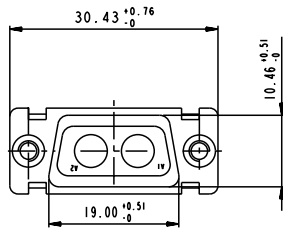
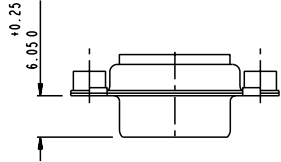
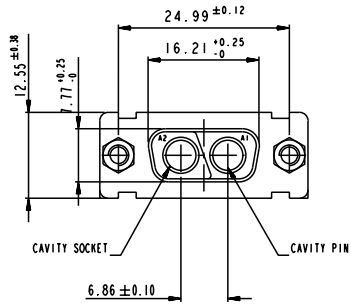
www.fciconnect.com		surface ISO 1302	tolerance std ISO 406 ISO 1101	projection mm
		TOLERANCES UNLESS OTHERWISE SPECIFIED		
Dr M PESSON	2005-10-11	ANGULAR	0.X ±0.3	size A2 Scale 2:1
Eng P LEGARE	2005-10-11	LINEAR	0.XX ±0.1	
Chr		0° ±2°	0.XXX ±0.05	ECN LS07-0273
Appr		Product family		Spec ref
FCI		SUB FEMALE DW		Rev. C
full power without contact		cat no	C01-8639-2311	
catalog no		CUSTOMER	sheet 2 of 4	

SCALE : 4

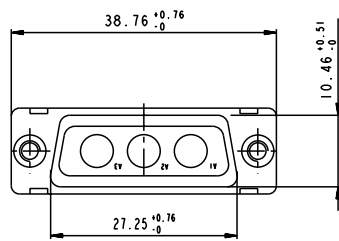
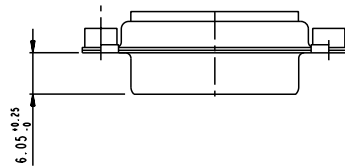
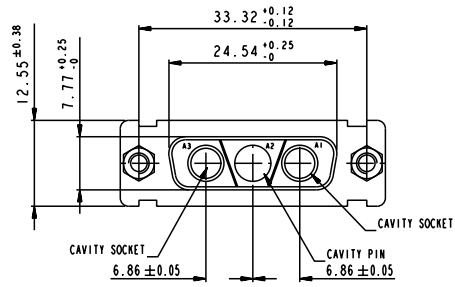
REV 7 - 2005-04-17

1 2 3 4 5 6 7 8

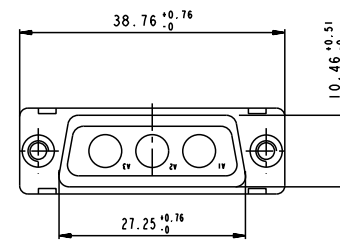
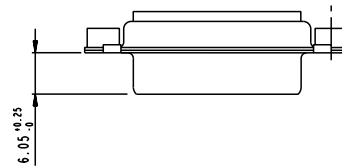
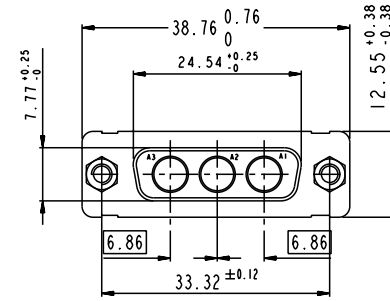
2V2



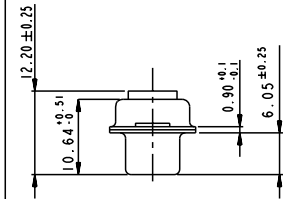
3V3



3W3



SIDE VIEW FOR LAYOUTS: E A B C

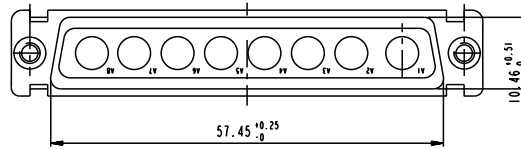
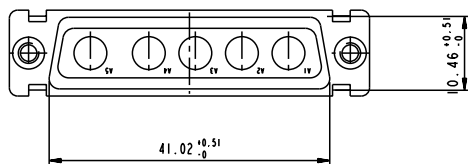
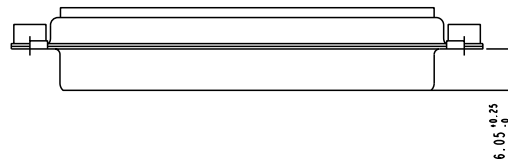
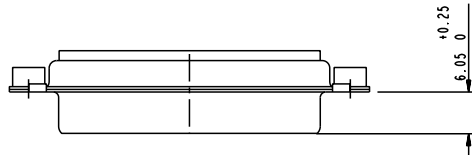
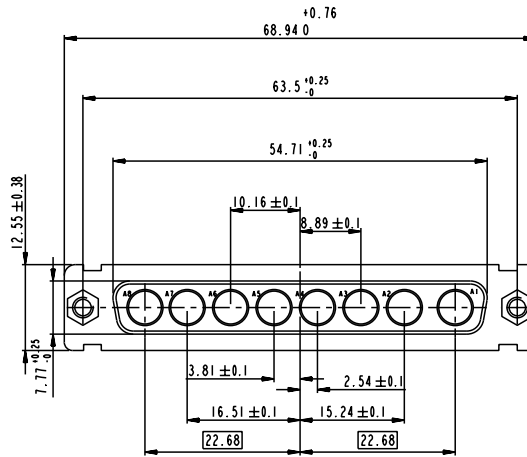
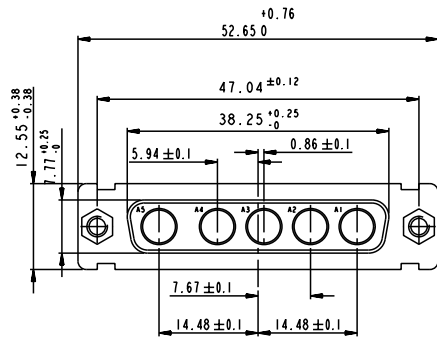


Copyright FCI.

www.fciconnect.com		surface ISO 1302	tolerance std ISO 406 ISO 1101	projection mm
		TOLERANCES UNLESS OTHERWISE SPECIFIED		
Dr M PESSON	2005-10-11	ANGULAR	0.X ±0.3	size A2 Scale 2:1
Eng P LEGARE	2005-10-11	LINEAR	0.XX ±0.1	ECN LS07-0273
Chr		0° ±2°	0.XXX ±0.05	Spec ref
Appr		Product family		
FCI SUB FEMALE DW		cat no	C01-8639-2311	
full power without contact		Rev.	C	
CUSTOMER		sheet	3 of 4	

5W5

8W8



Copyright FCI.

www.fciconnect.com		surface ISO 1302	tolerance std ISO 406 ISO 1101	projection mm
		TOLERANCES UNLESS OTHERWISE SPECIFIED		
Dr M PESSON	2005-10-11	ANGULAR	0.X ±0.3	size A2 Scale 2:1
Eng P LEGARE	2005-10-11	LINEAR	0.XX ±0.1	ECN LS07-0273
Chr		0° ±2°	0.XXX ±0.05	Spec ref
Appr		Product family		
SUB FEMALE DW full power without contact catalog no		drg no C01-8639-2311	Rev. C	CUSTOMER sheet 4 of 4